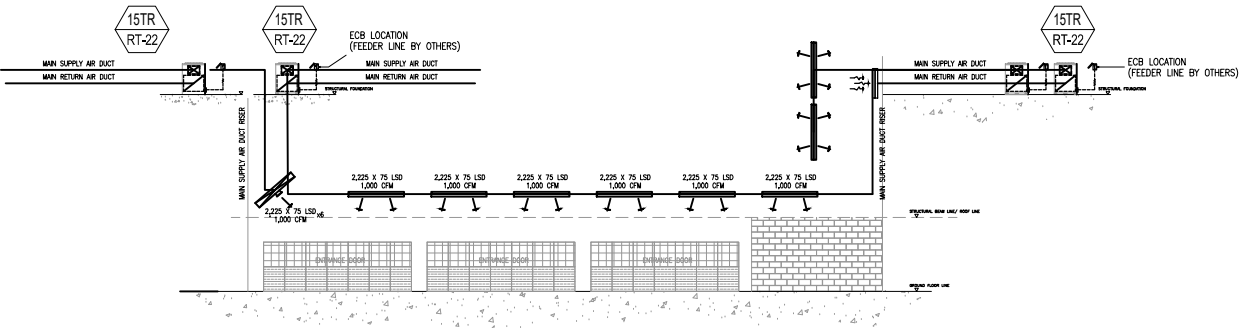


1
M-1



2 SIDE VIEW A/C LAYOUT
M-1 SCALE: NTS

CONSTRUCTION NOTES:

- A/C CONTRACTOR SHALL VERIFY ACTUAL DRAIN LINE PROVISION.
- STRUCTURAL WORKS SUCH AS CONCRETE CHIPPING SHALL BE PROVIDED BY THE GENERAL CONTRACTOR.
- WATER AND ELECTRIC SUPPLY SHALL BE PROVIDED BY THE GENERAL CONTRACTOR ON SITE.

NOTE:
ANY DISCREPANCY ON ALL DRAWINGS AND SPECIFICATIONS (STRUCTURAL, ELECTRICAL, MECHANICAL, ETC.) SHALL BE SUBJECT FOR VERIFICATION BEFORE IMPLEMENTATION.

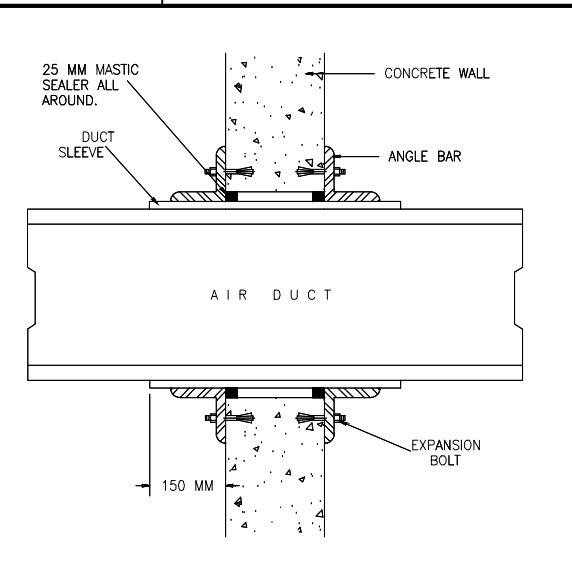
ARKDEV ENGINEERING
Designed for value, Engineered to last.
26 HOUSTON STREET, BF 5H, BF HOMES, PARAÑAQUE CITY
TEL: (02) 502 3540 / FAX: (02) 810 3289
EMAIL: arkdev_eng@yahoo.com

RA 9266 SECTION 33
DRAWINGS AND SPECIFICATIONS DULY SIGNED, STAMPED OR SEALED AS INSTRUMENTS OF SERVICE, ARE THE PROPERTY AND DOCUMENTS OF ARKDEV. WHETHER THE OBJECT FOR WHICH THEY ARE MADE IS EXECUTED OR NOT, IT SHALL BE UNLAWFUL FOR ANY PERSON, WITHOUT THE WRITTEN CONSENT OF ARKDEV OR AUTHOR OF SAID DOCUMENTS, TO DUPLICATE OR TO MAKE COPIES OF SAID DOCUMENTS FOR USE IN THE REPRODUCTION OF AND FOR OTHER PROJECTS OR BUILDINGS, WHETHER EXECUTED PARTLY OR IN WHOLE.

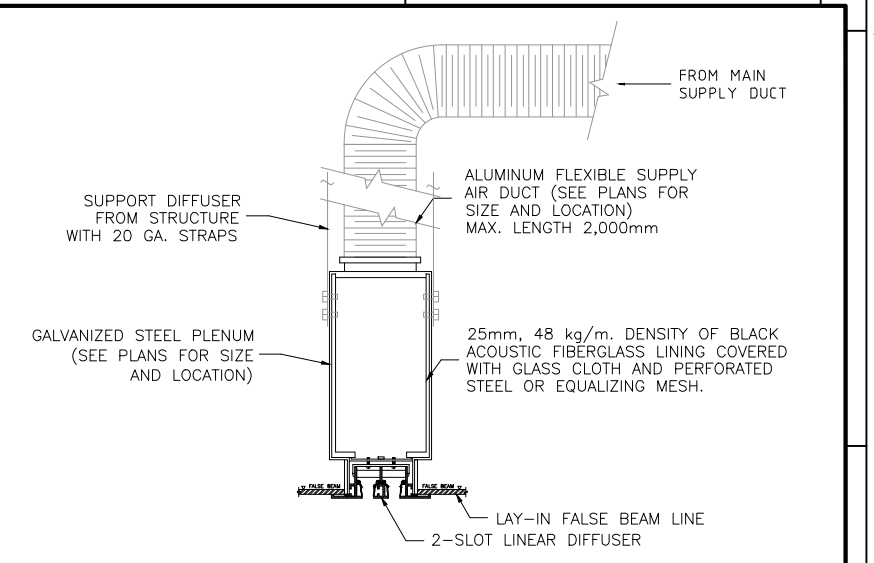
ENGINEER: _____
PROFESSIONAL MECHANICAL ENGINEER
PRC REG. NO.: _____ PTR No.: _____ DATE ISSUED: _____
TIN No.: _____ PLACE ISSUED: _____

FOR APPROVAL
REVISION #2: AUGUST 05, 2019

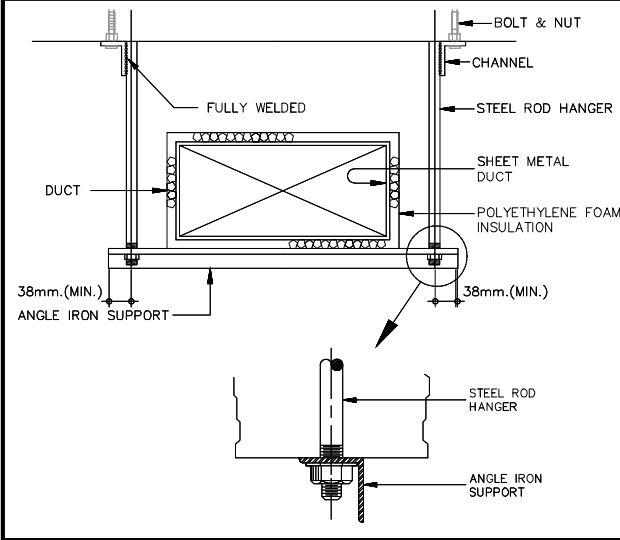
PROJECT TITLE: **GOOD SHEPHERD PARISH AIR-CONDITIONING SYSTEM**
LOCATION: SANGGUMAY ST., DONA MANUELA SUBDIVISION, LAS PINAS CITY



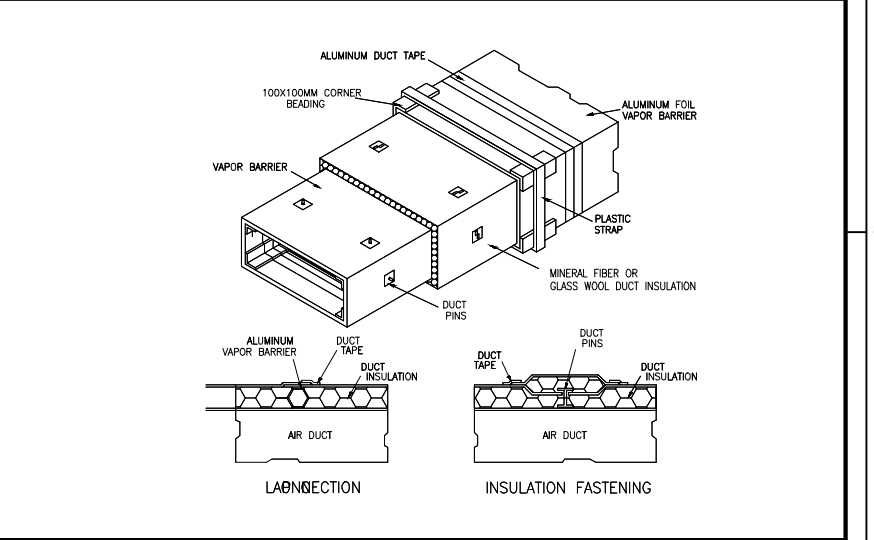
DUCT INSTALLATION THRU WALL



LINEAR SLOT DIFFUSER AND PLENUM DETAILS



DUCT HANGER MOUNTING DETAILS



DUCT INSULATION DETAILS

SCHEDULE OF EQUIPMENT

UNITARY ROOFTOP PACKAGED TYPE AIR-CONTIONERS:

DESIGNATION	SETS	CAPACITY (BTU/H)	ELECTRICAL CHARACTERISTICS	POWER INPUT (KW)	REFRIGERANT TYPE	SUPPLY AIR (CFM)	SYSTEM			AREA SERVED	REMARKS	
							TYPE	FAN MOTOR INPUT (KW)	COMPRESSOR MOTOR INPUT (KW)			COMPRESSOR FAN MOTOR INPUT (KW)
15TR RT	4	180,000	220V/3PH/60HZ	21.5	R-410a	6,000	UNITARY ROOFTOP DUCTED, PACKAGED TYPE	3.37	5.5+11	1.64	MAIN SANCTUARY	EACH UNIT SHALL BE FACTORY TESTED AND ASSEMBLED TO MEET THE DESIGN REQUIREMENTS AND SHALL BE COMPLETE WITH WASHABLE TYPE AIR FILTERS, AND WIRED REMOTE CONTROLLERS WITH FAN SPEED CONTROL AND WIDE RANGE OF TEMPERATURE SETTINGS.

GENERAL NOTES:

- THE MECHANICAL CONTRACTOR SHALL COORDINATE WITH OTHER TRADE CONTRACTORS FOR THE FOLLOWING IMPLEMENTATION OF WORK.
- THE MECHANICAL CONTRACTOR SHALL FURNISH AND INSTALL ALL AIR CONDITIONING AS INDICATED ON THE PLANS AND DRAWINGS INCLUDING ALL NECESSARY REQUIREMENT CONNECTIONS.
- THE MECHANICAL CONTRACTOR SHALL FURNISH AND INSTALL THE COMPLETE AIR DUCTWORKS INCLUDING INSULATION, HANGERS, SUPPORTS AND NECESSARY EQUIPMENT CONNECTIONS.
- ALL DIMENSIONS ARE EXPRESSED IN MILLIMETERS UNLESS OTHERWISE INDICATED.
- ALL MECHANICAL WORKS HEREIN SHALL BE DONE UNDER THE DIRECT SUPERVISION OF A DULY LICENSED PROFESSIONAL MECHANICAL ENGINEER OR A REGISTERED MECHANICAL ENGINEER.

LEGEND :

- RT - ROOFTOP (UNITARY PACKAGED)
- S/RAD - SUPPLY/ RETURN AIR DUCT
- BTU/H - BRITISH THERMAL UNIT PER HOUR
- CFM - CUBIC FEET PER MINUTE
- MS - MANUFACTURER'S STANDARD
- Ø - DIAMETER
- MM - MILLIMETER
- HP - HORSEPOWER
- TR - TONS OF REF.
- KW - KILOWATT

<p>ARKDEV ENGINEERING Designed for value, Engineered to last. 26 HOUSTON STREET, BF 5H, BF HOMES, PARAÑAQUE CITY TEL: (02) 502 3540 / FAX: (02) 810 3289 EMAIL: arkdev_eng@yahoo.com</p>	<p>RA 9266 SECTION 33 DRAWINGS AND SPECIFICATIONS DULY SIGNED, STAMPED OR SEALED AS INSTRUMENTS OF SERVICE, ARE THE PROPERTY AND DOCUMENTS OF ARKDEV. WHETHER THE OBJECT FOR WHICH THEY ARE MADE IS EXECUTED OR NOT, IT SHALL BE UNLAWFUL FOR ANY PERSON, WITHOUT THE WRITTEN CONSENT OF ARKDEV OR AUTHOR OF SAID DOCUMENTS, TO DUPLICATE OR TO MAKE COPIES OF SAID DOCUMENTS FOR USE IN THE REPRODUCTION OF AND FOR OTHER PROJECTS OR BUILDINGS, WHETHER EXECUTED PARTLY OR IN WHOLE.</p>	<p>ENGINEER: _____ PROFESSIONAL MECHANICAL ENGINEER PRC REG. NO.: _____ PTR No.: _____ DATE ISSUED: _____ TIN No.: _____ PLACE ISSUED: _____</p>	<p>PROJECT TITLE: GOOD SHEPHERD PARISH AIR-CONDITIONING SYSTEM LOCATION: SANGGUMAY ST., DONA MANUELA SUBDIVISION, LAS PINAS CITY</p>	<p>APPROVED BY: _____ SMA FATHERS OWNER DATE: _____</p>	<p>SHEET CONTENTS A/C LAYOUT FOR GF & MISC. DETAILS</p>	<p>DRAWN BY: A. MEDINA, ME DATE: 08/05/2019 DESIGNED BY: A. TANWANGCO, ME CHECKED BY: A. TANWANGCO, ME</p>	<p>SHEET NO.: M-1</p>
---	--	--	---	--	--	--	------------------------------